

MRS2 modular rack system



© 2015 - 2024 Renishaw plc. All rights reserved.

This document may not be copied or reproduced in whole or in part, or transferred to any other media or language by any means, without the prior written permission of Renishaw.

Disclaimer

WHILE CONSIDERABLE EFFORT WAS MADE TO VERIFY THE ACCURACY OF THIS DOCUMENT AT PUBLICATION, ALL WARRANTIES, CONDITIONS, REPRESENTATIONS AND LIABILITY, HOWSOEVER ARISING, ARE EXCLUDED TO THE EXTENT PERMITTED BY LAW.

RENISHAW RESERVES THE RIGHT TO MAKE CHANGES TO THIS DOCUMENT AND TO THE EQUIPMENT, AND/OR SOFTWARE AND THE SPECIFICATION DESCRIBED HEREIN WITHOUT OBLIGATION TO PROVIDE NOTICE OF SUCH CHANGES.

Trade marks

RENISHAW®, the probe symbol and REVO® and AGILITY® are registered trade marks of Renishaw plc.

Renishaw product names, designations and the mark 'apply innovation' are trade marks of Renishaw plc or its subsidiaries.

Other brand, product or company names are trade marks of their respective owners.

Company registration details

Renishaw plc. Registered in England and Wales. Company no: 1106260. Registered office: New Mills, Wotton-under-Edge, Gloucestershire, GL12 8JR, UK.

ORIGINAL LANGUAGE VERSION

Packaging

To aid end user recycling and disposal the materials used in the different components of the packaging are stated here:

Packaging component	Material	94/62/EC code	94/62/EC number
Outer box	Corrugated fibreboard	PAP	20
Packaging insert	Corrugated fibreboard	PAP	20
Bag	Low density Polyethylene	LDPE	4

MRS2 assembly instructions

Single tier



Double tier



Triple tier



Double tier with cantilever



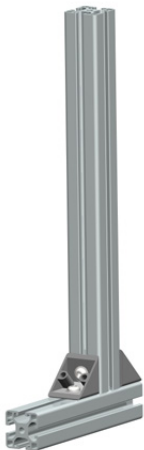
200 mm

A-6007-1020



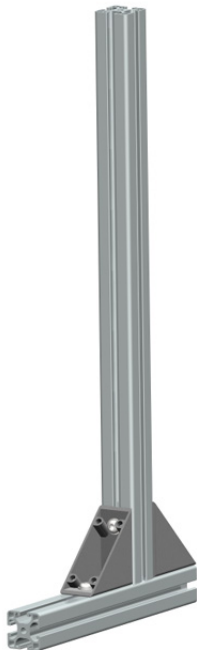
400 mm

A-6007-1040



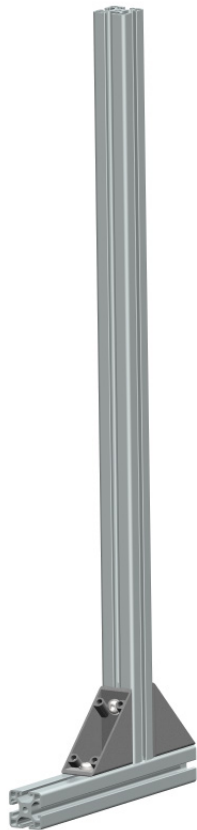
600 mm












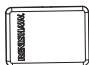


A-6007-1060



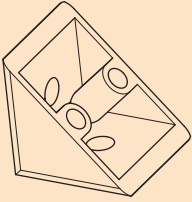
800 mm

A-6007-1080

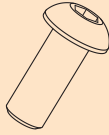


	200 mm A-6007-1020	400 mm A-6007-1040	600 mm A-6007-1060	800 mm A-6007-1080
	4	4	-	-
	-	-	4	4
	8	8	16	16
	8	8	16	16
	8	8	16	16
 200 mm	4	2	-	-
 300 mm	-	-	2	2
 400 mm	-	2	-	-
 600 mm	-	-	2	-
 800 mm	-	-	-	2
	6	6	6	6
	4	4	-	-
	-	-	4	4
	2	2	2	2

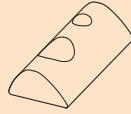
200 mm and 400 mm legs only



x 1



x 2

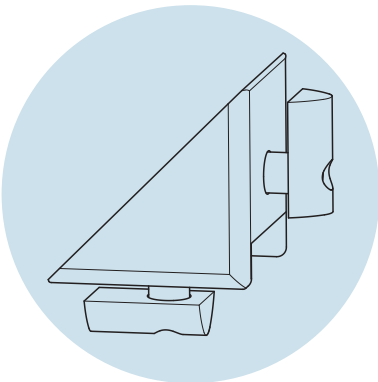
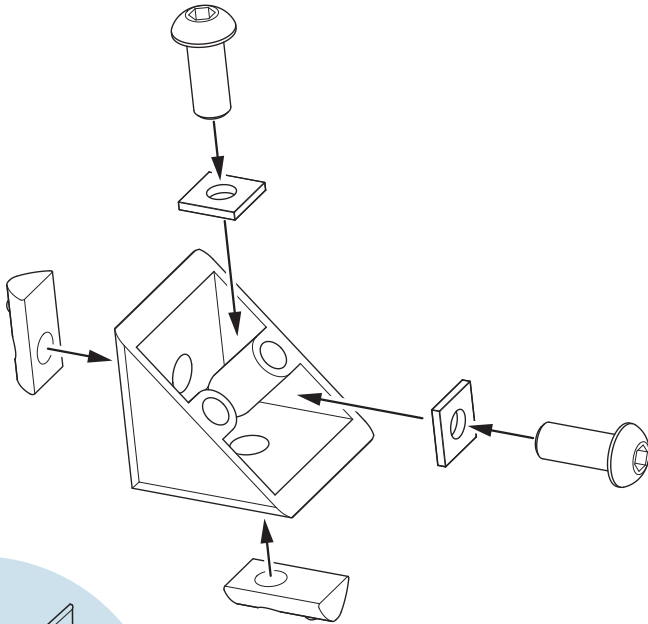


x 2

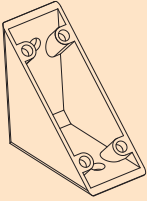


x 2

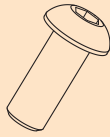
x 4



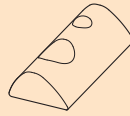
600 mm and 800 mm legs only



× 1



× 4

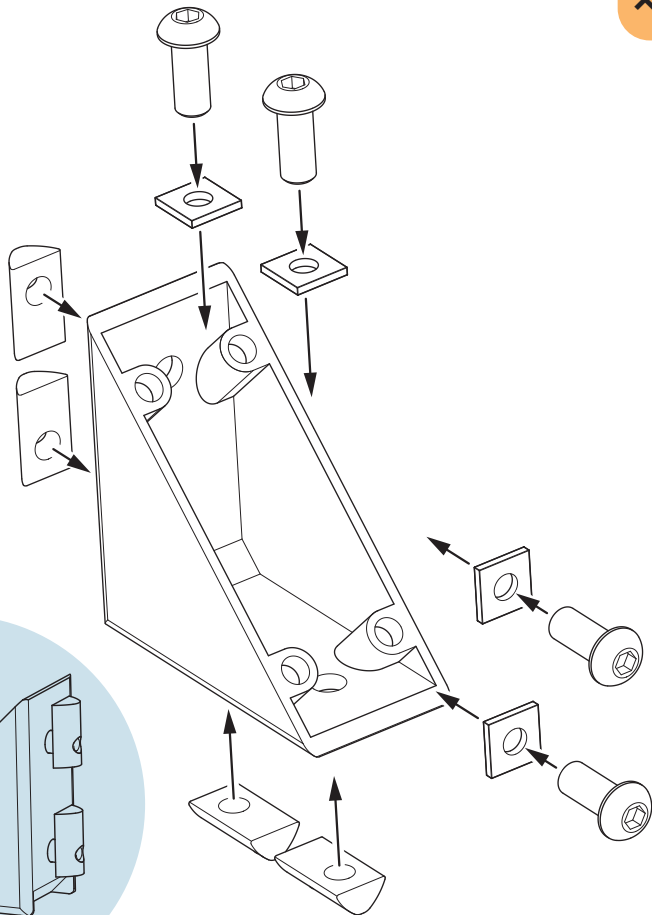


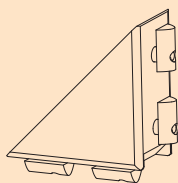
× 4



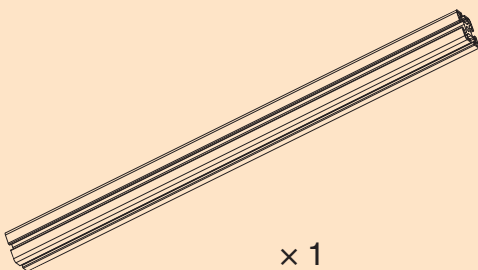
× 4

× 4



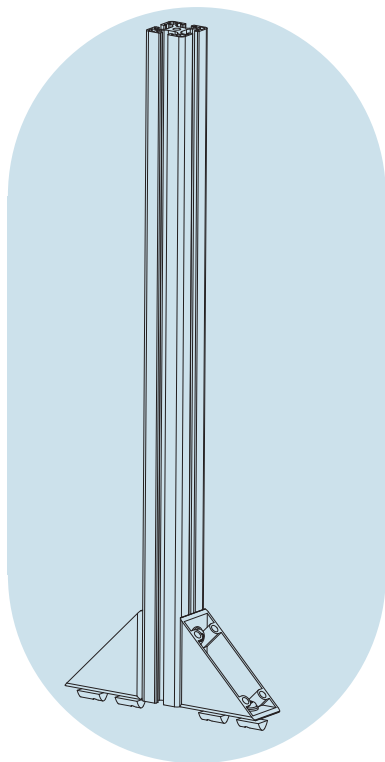
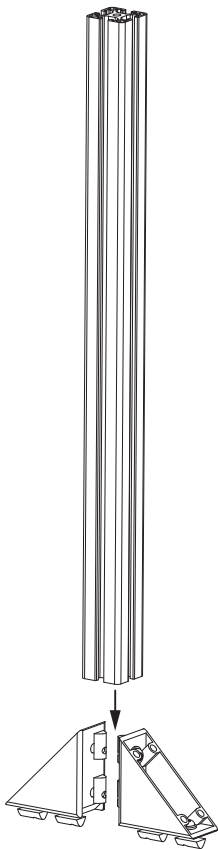


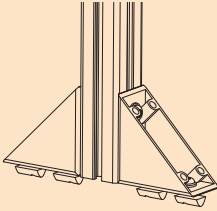
x 2



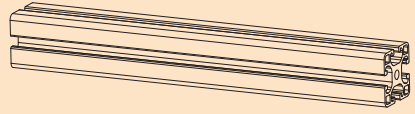
x 1

x 2



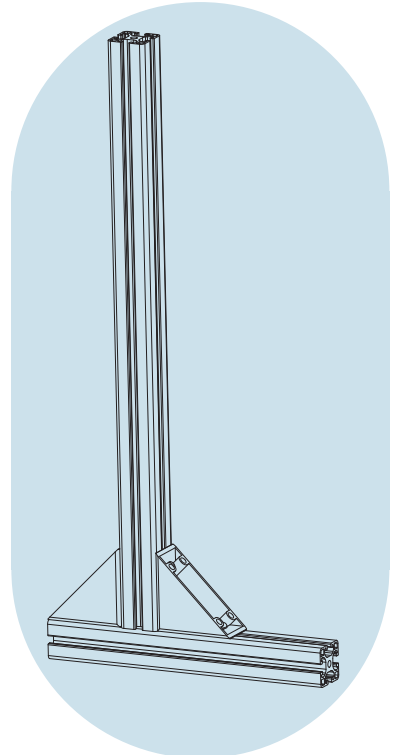
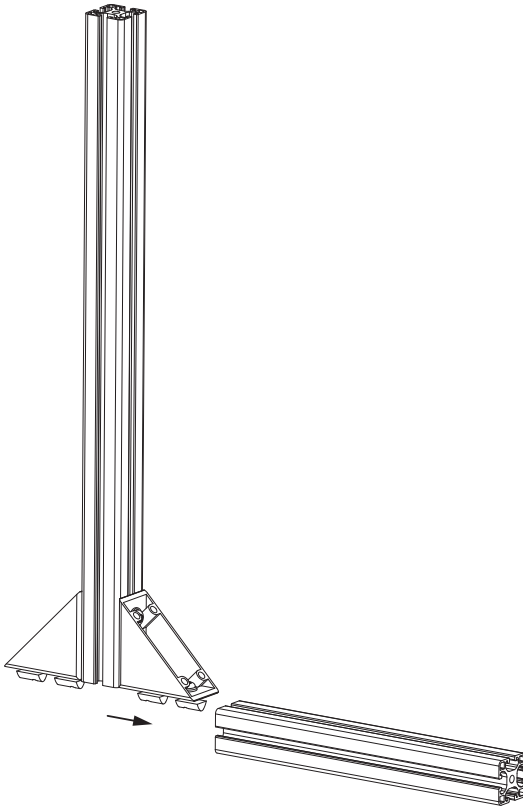


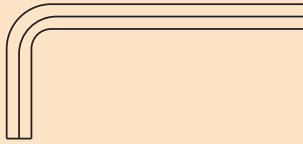
× 1



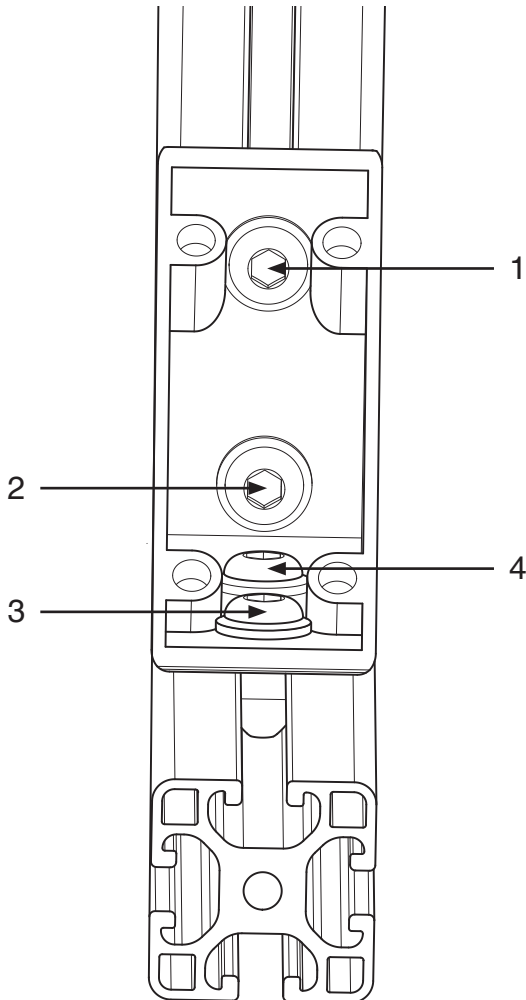
× 1

× 2

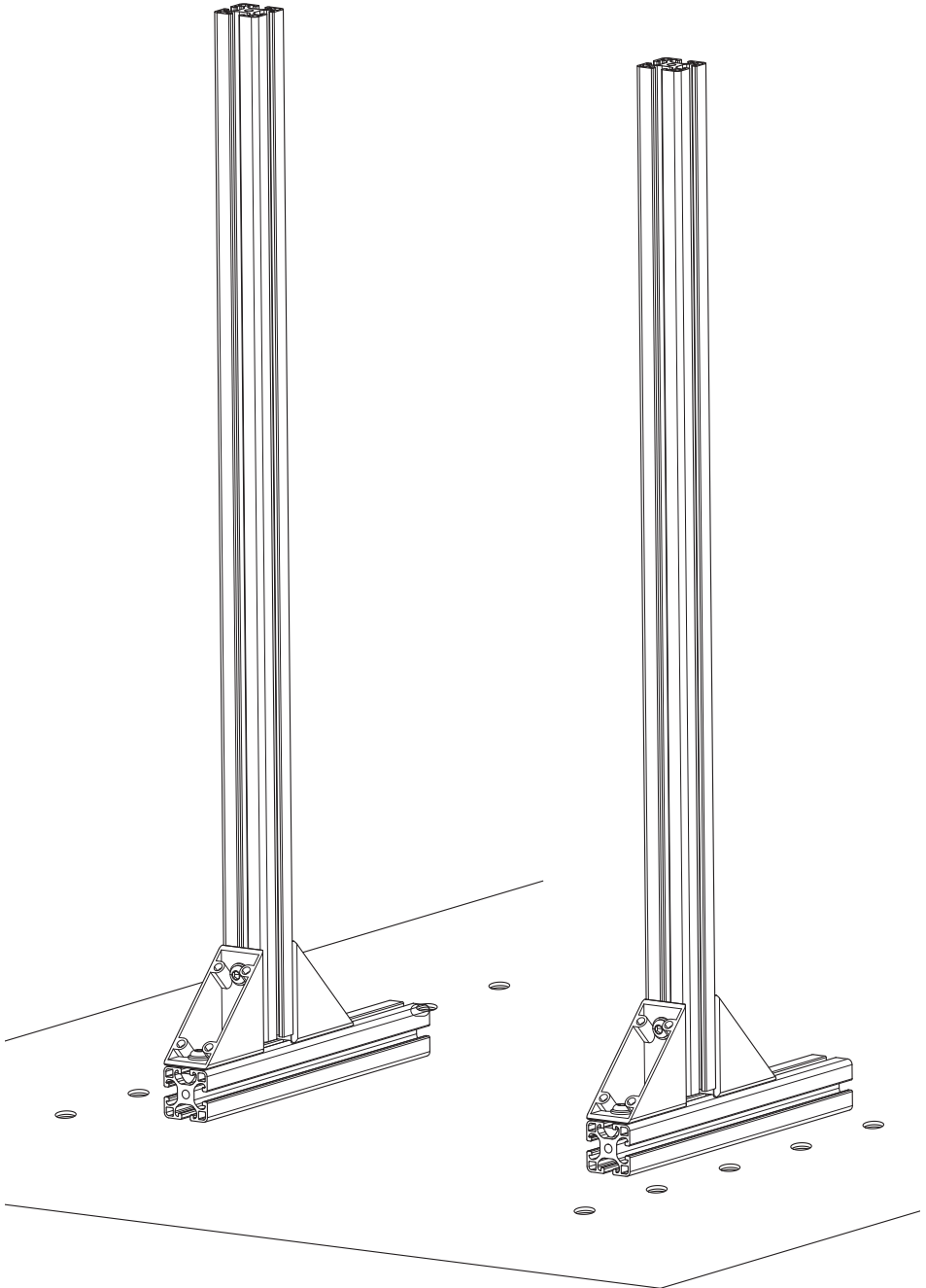


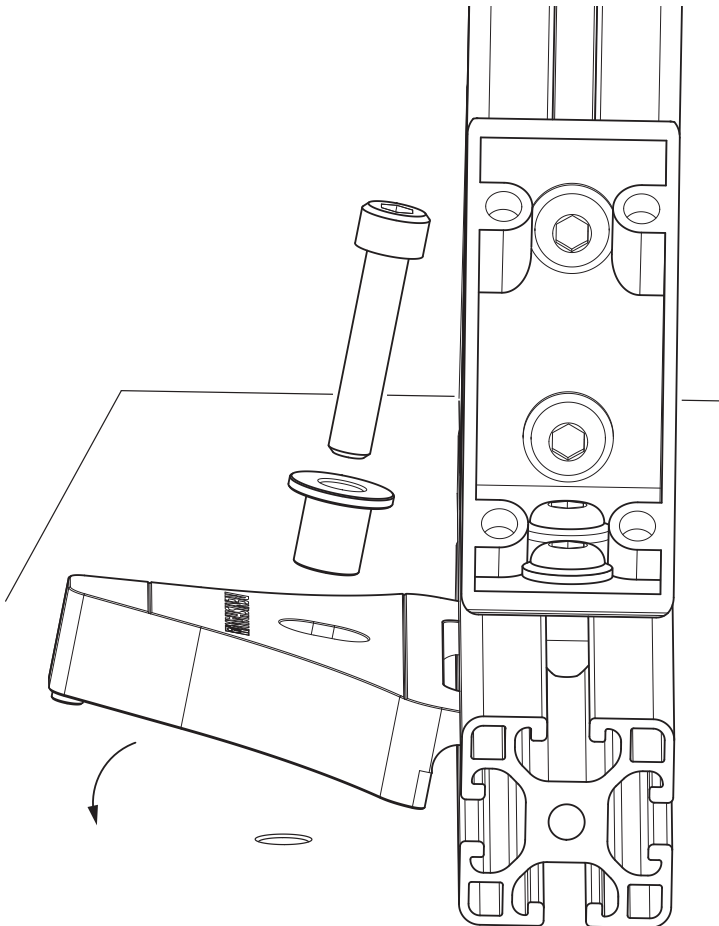
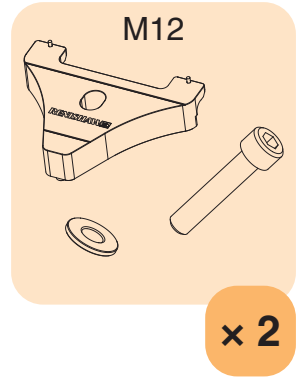


Bolt torque >7.5 Nm









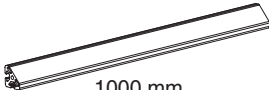

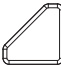
× 4

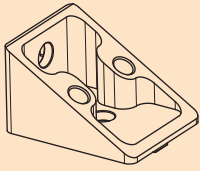




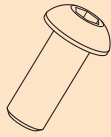
This page intentionally left blank



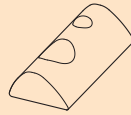
	400 mm A-6007-2040	600 mm A-6007-2060	1000 mm A-6007-2100
	2	2	2
	4	4	4
	4	4	4
	4	4	4
 400 mm	1	-	-
 600 mm	-	1	-
 1000 mm	-	-	1
	2	2	2
	2	2	2



× 1



× 2

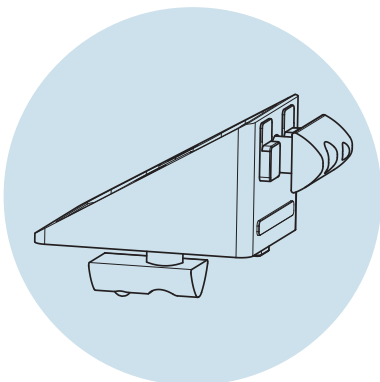
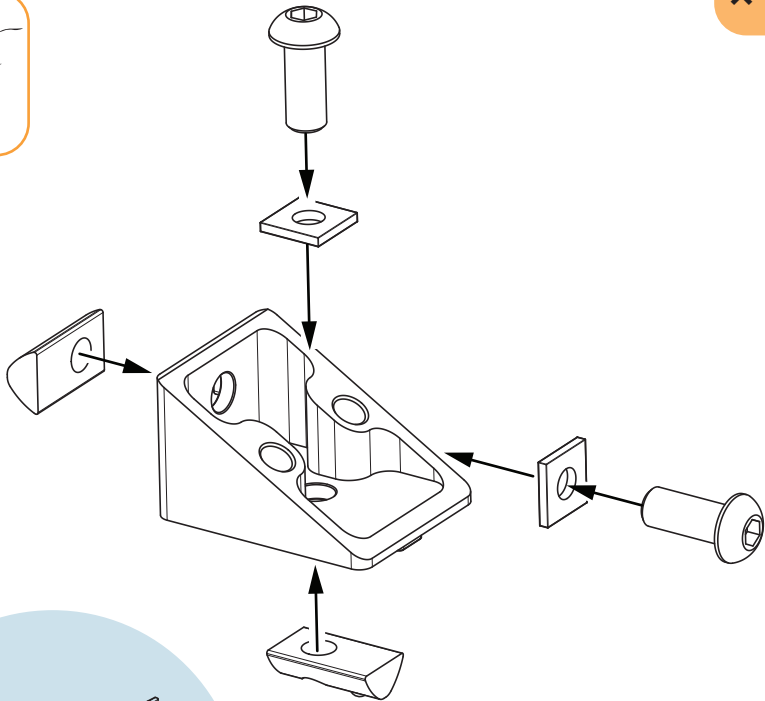


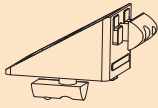
× 2



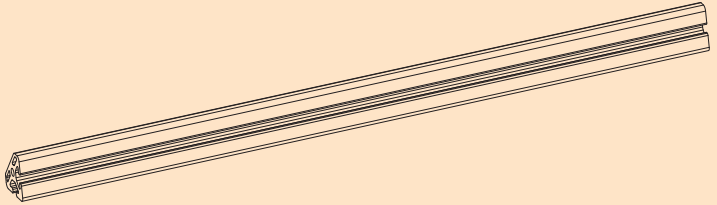
× 2

× 2



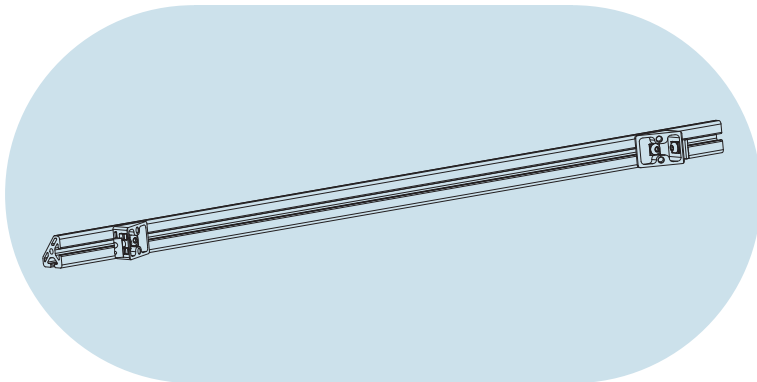
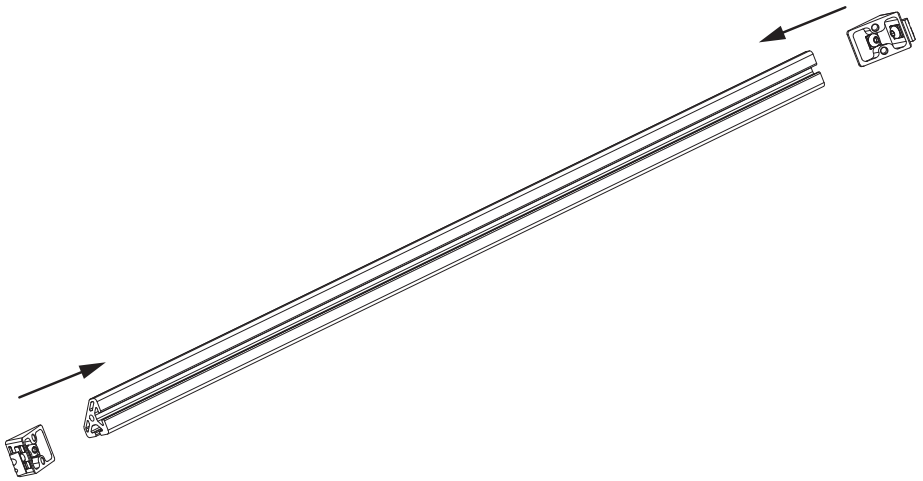


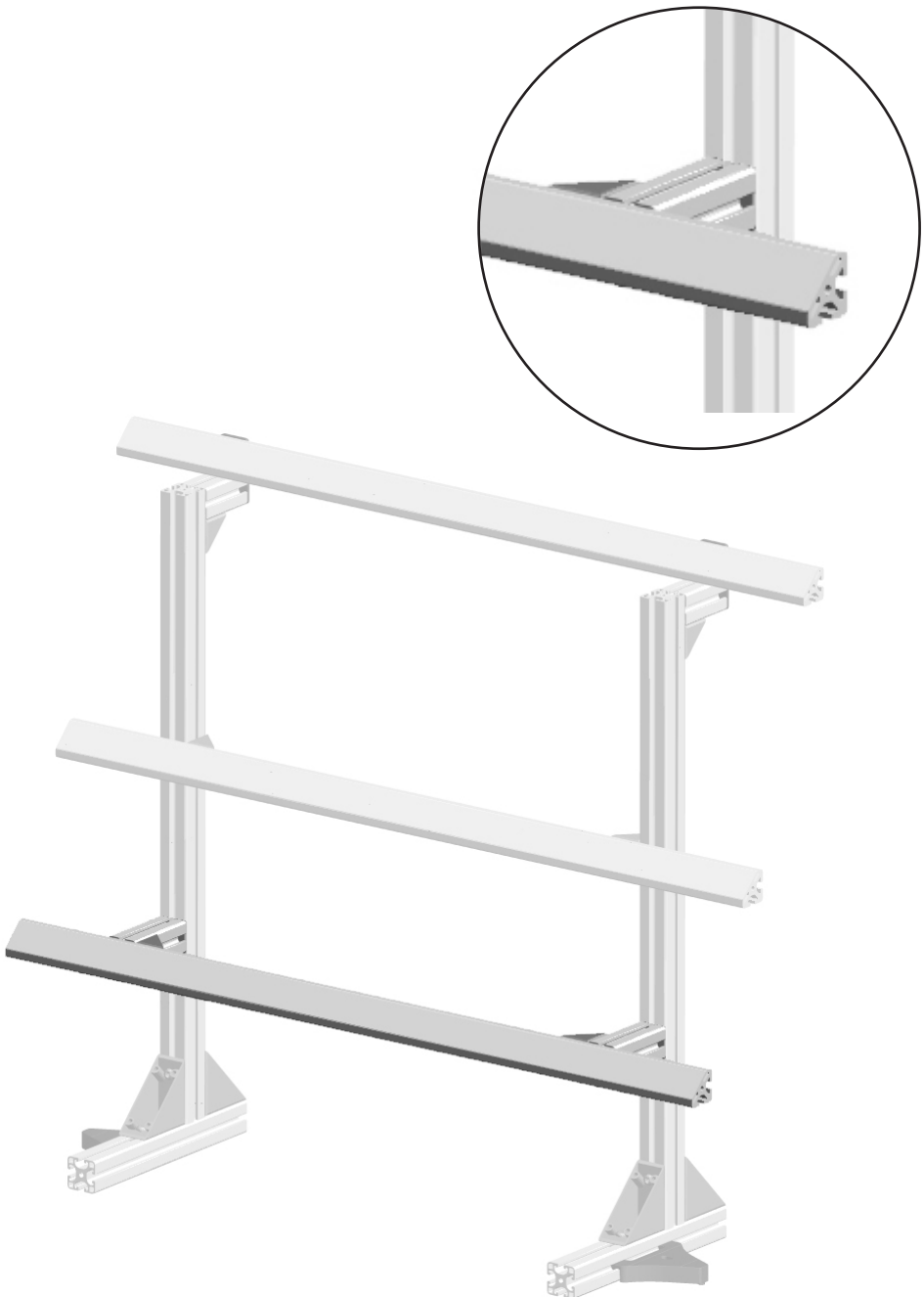
× 2




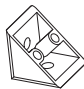




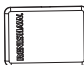
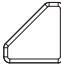


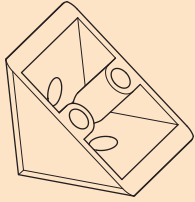
× 1

× 1

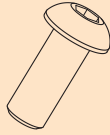




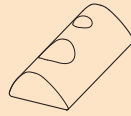
	400 mm A-6007-3040	600 mm A-6007-3060	1000 mm A-6007-3100
 400 mm	1	-	-
 600 mm	-	1	-
 1000 mm	-	-	1
	4	4	4
	8	8	8
	8	8	8
	8	8	8
	2	2	2
	4	4	4
	2	2	2



x 1



x 2

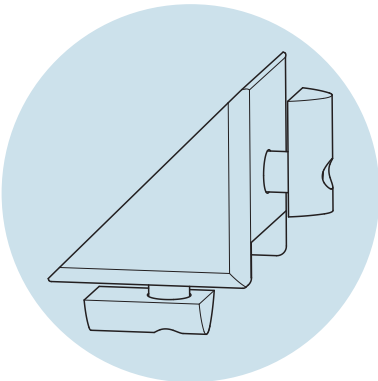
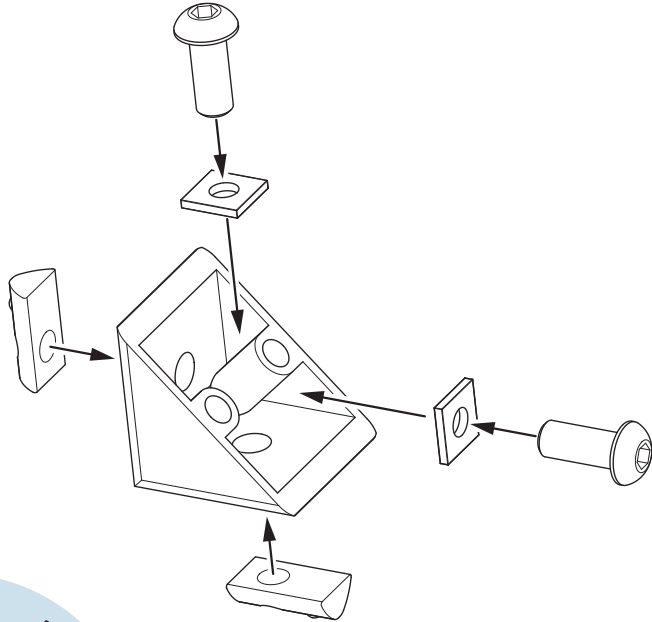


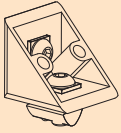
x 2



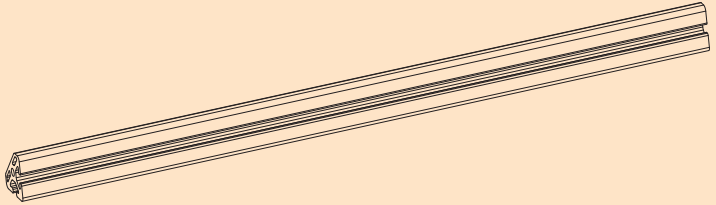
x 2

x 4



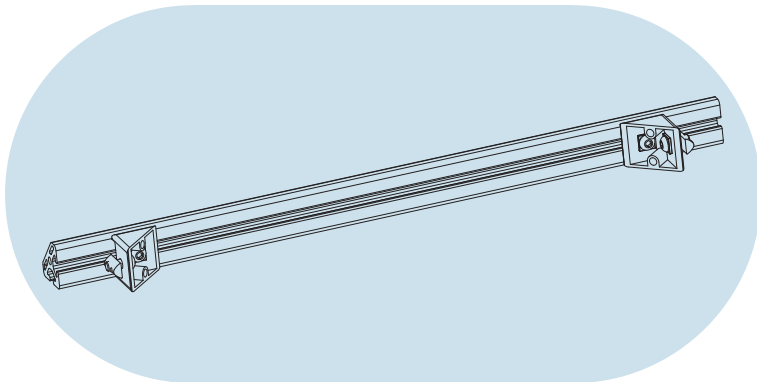
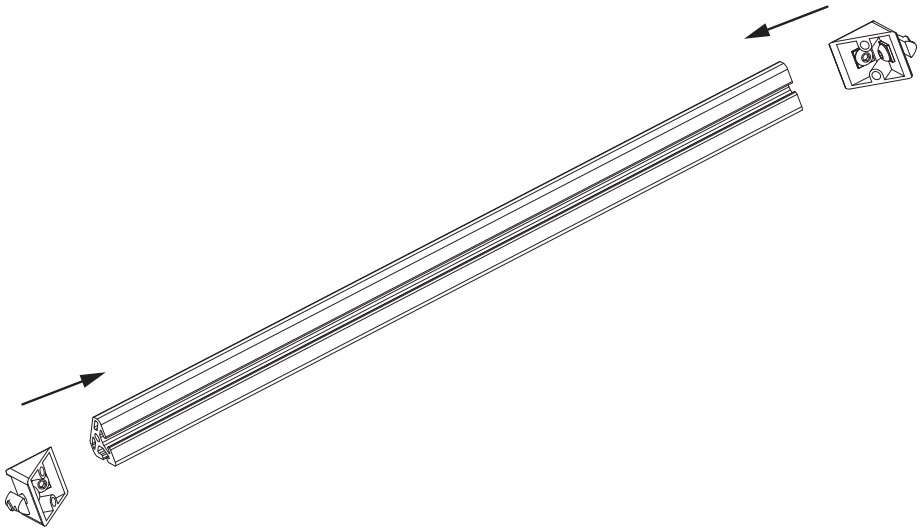


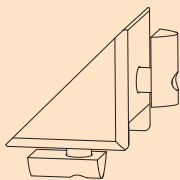
× 2



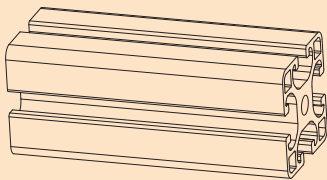
× 1

× 1



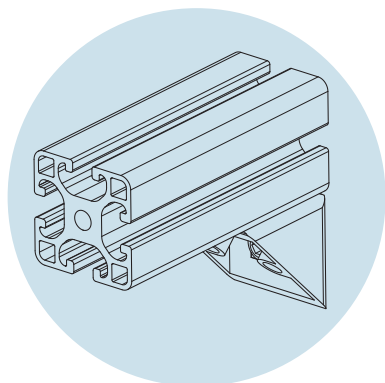
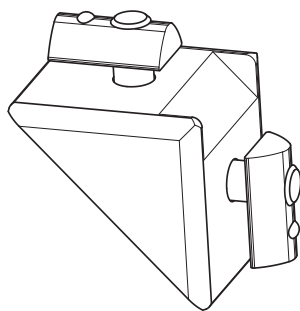
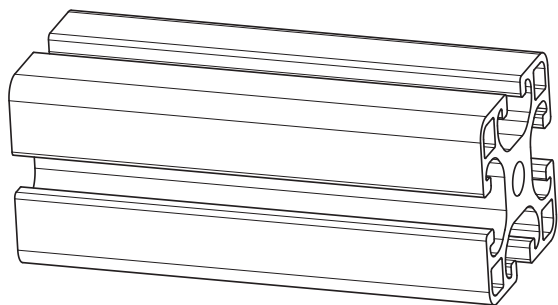


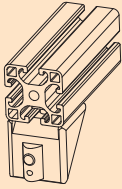
x 1



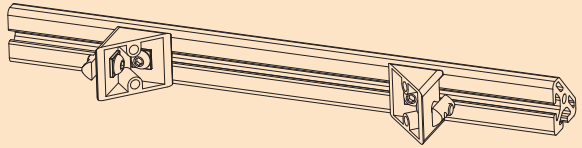
x 1

x 2



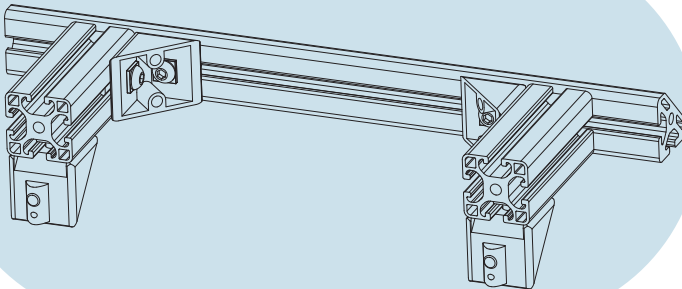
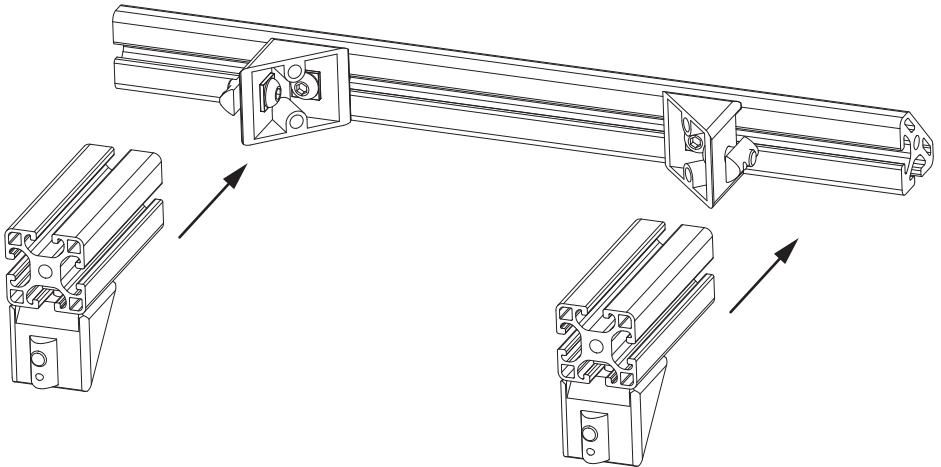


× 2







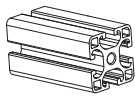
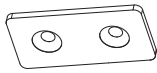
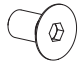
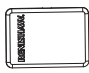
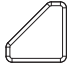


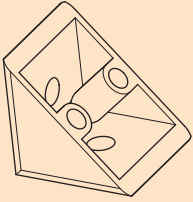
× 1

× 1

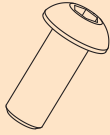




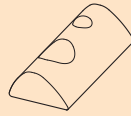
	400 mm A-6007-4040	600 mm A-6007-4060	1000 mm A-6007-4100
 400 mm	1	-	-
 600 mm	-	1	-
 1000 mm	-	-	1
	2	2	2
	4	4	4
	6	6	6
	2	2	2
	2	2	2
	4	4	4
	2	2	2
	2	2	2



x 1



x 2

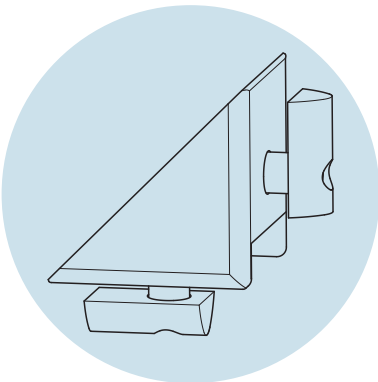
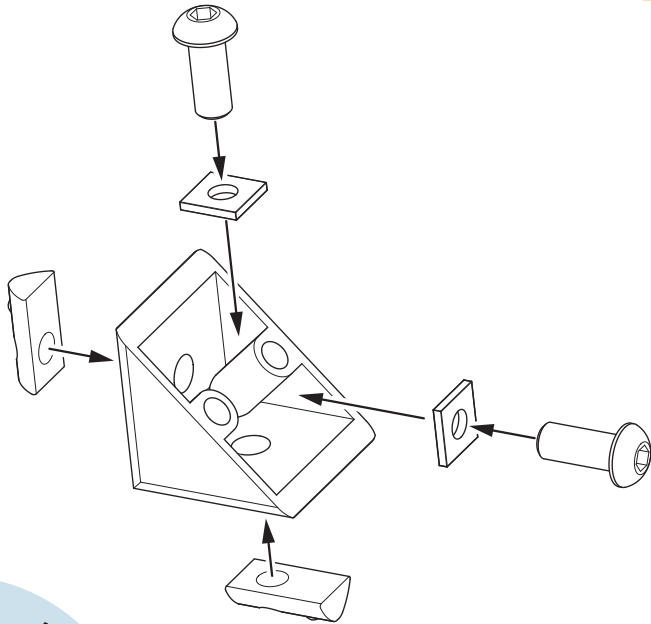


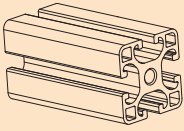
x 2



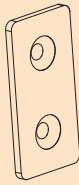
x 2

x 2

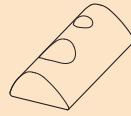




× 1



× 1

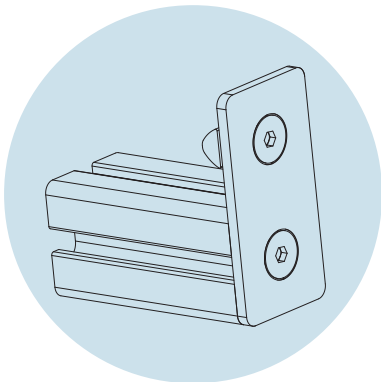
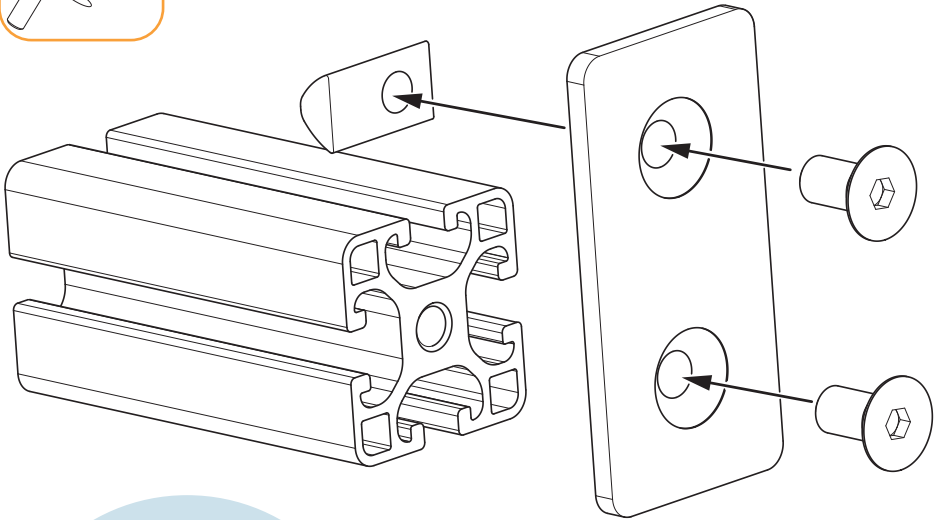


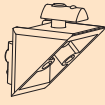
× 1



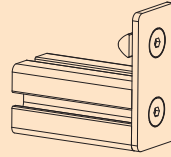
× 2

× 2



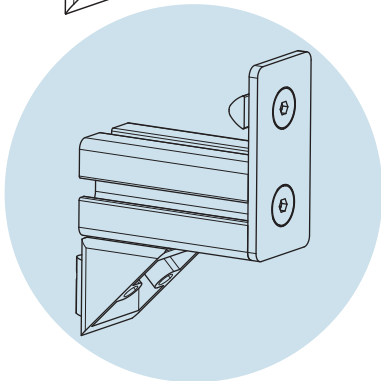
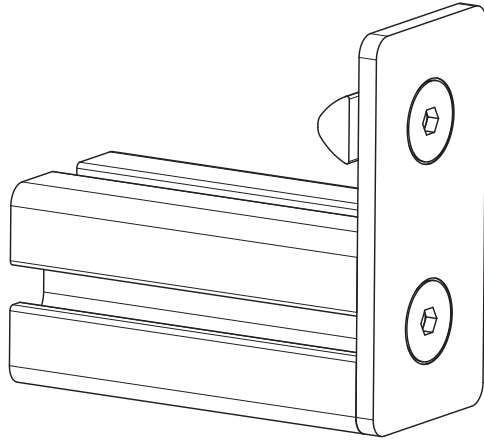
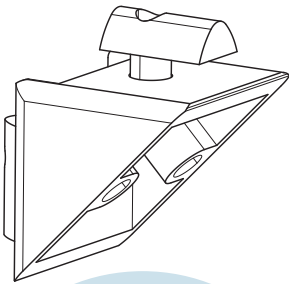


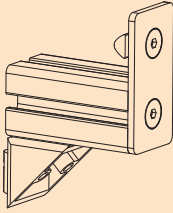
× 2



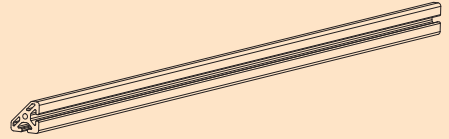
× 2

× 2



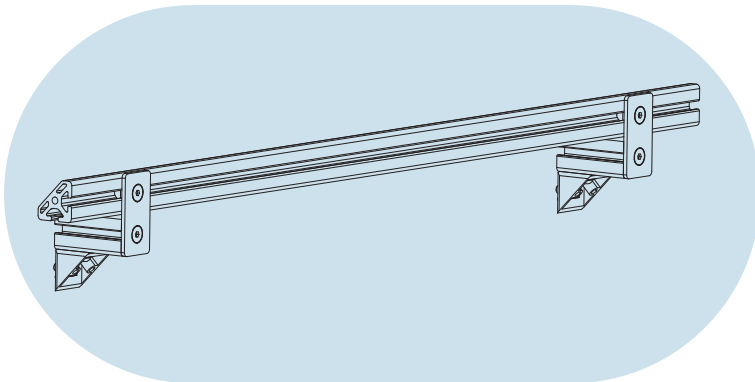
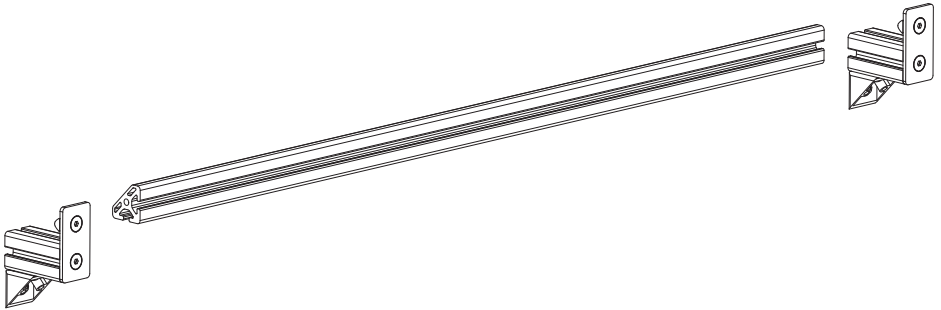


× 2

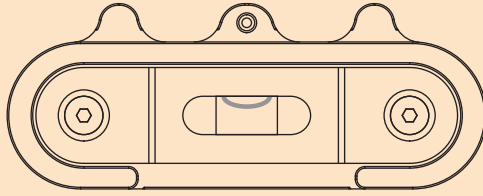


× 1

× 1

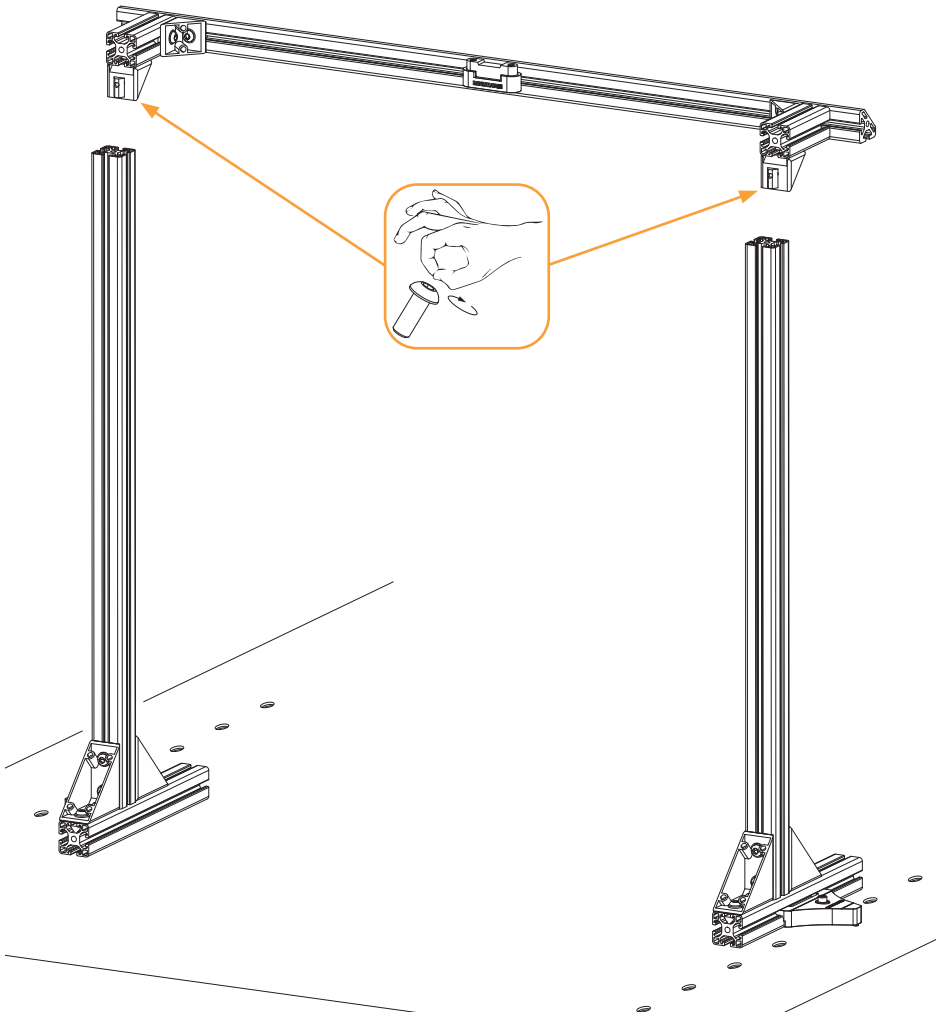


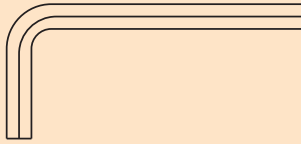




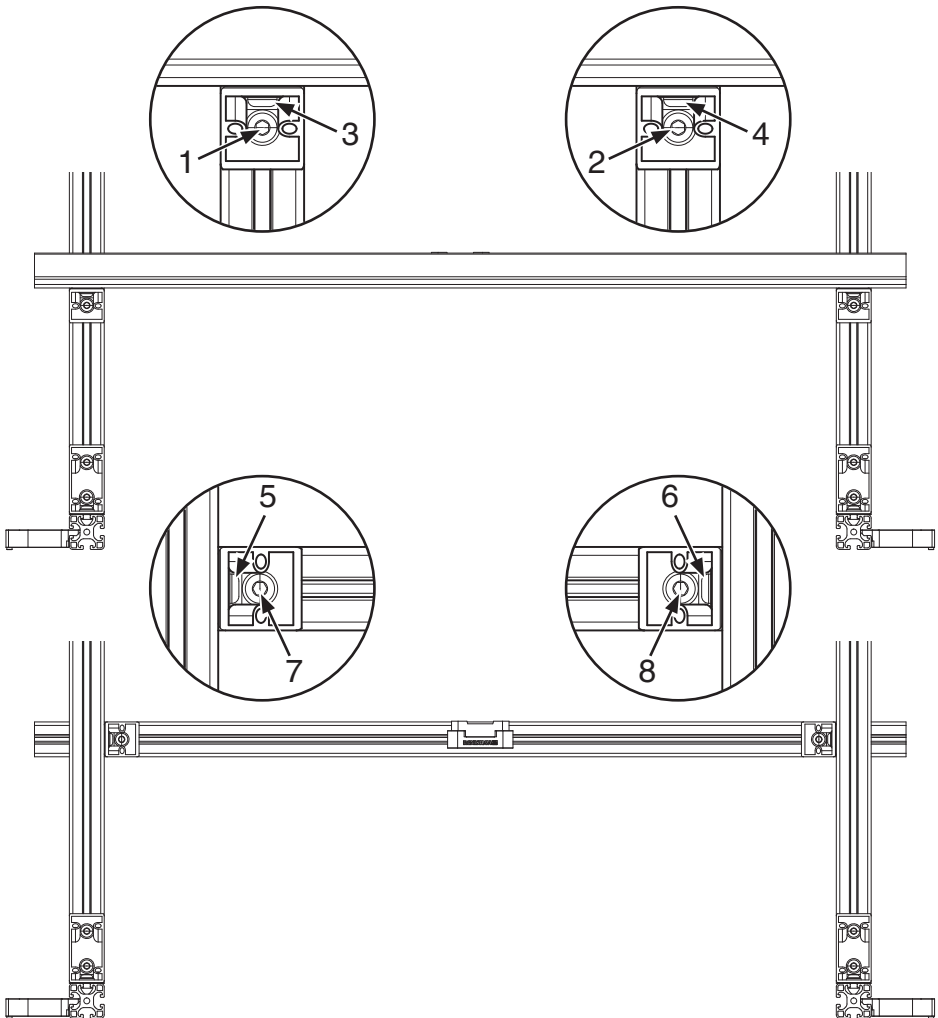
A-6007-0630

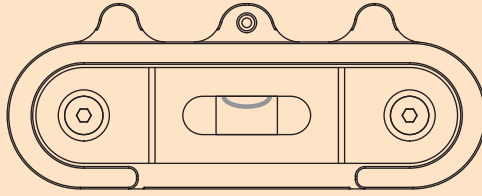
Set rail level using
spirit level provided





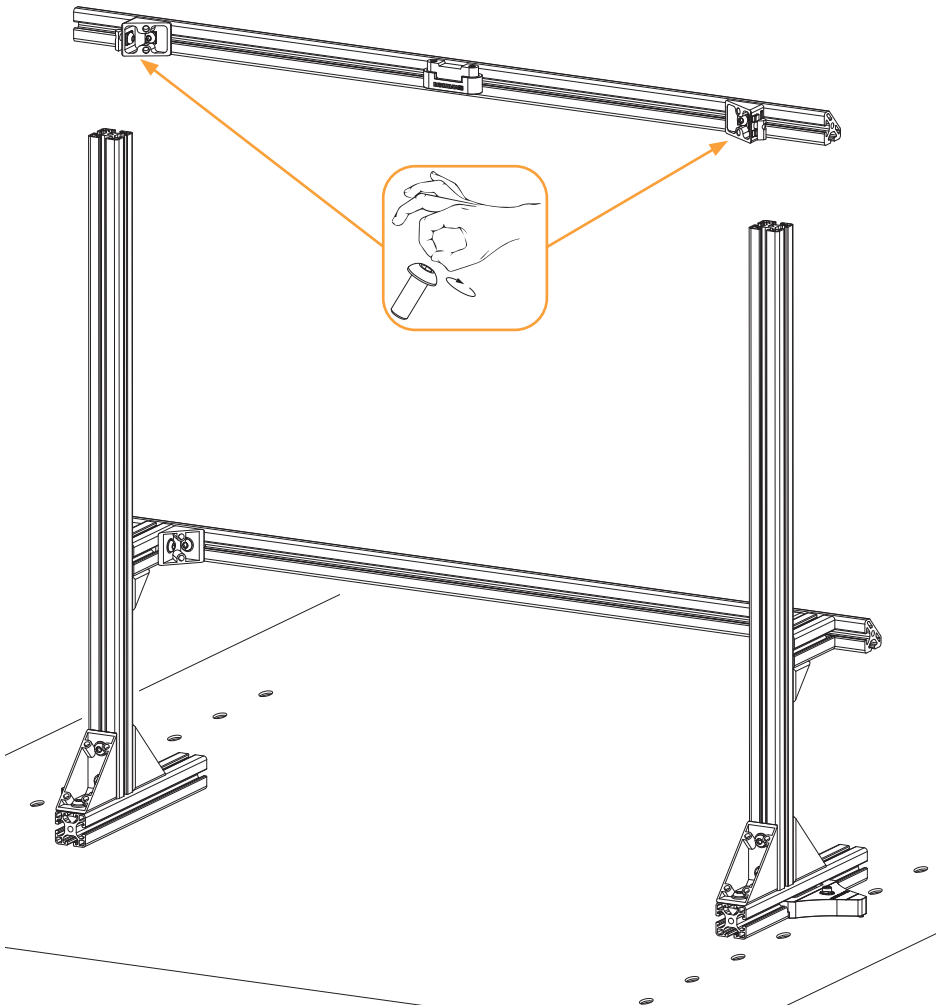
Bolt torque >7.5 Nm

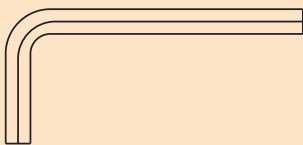




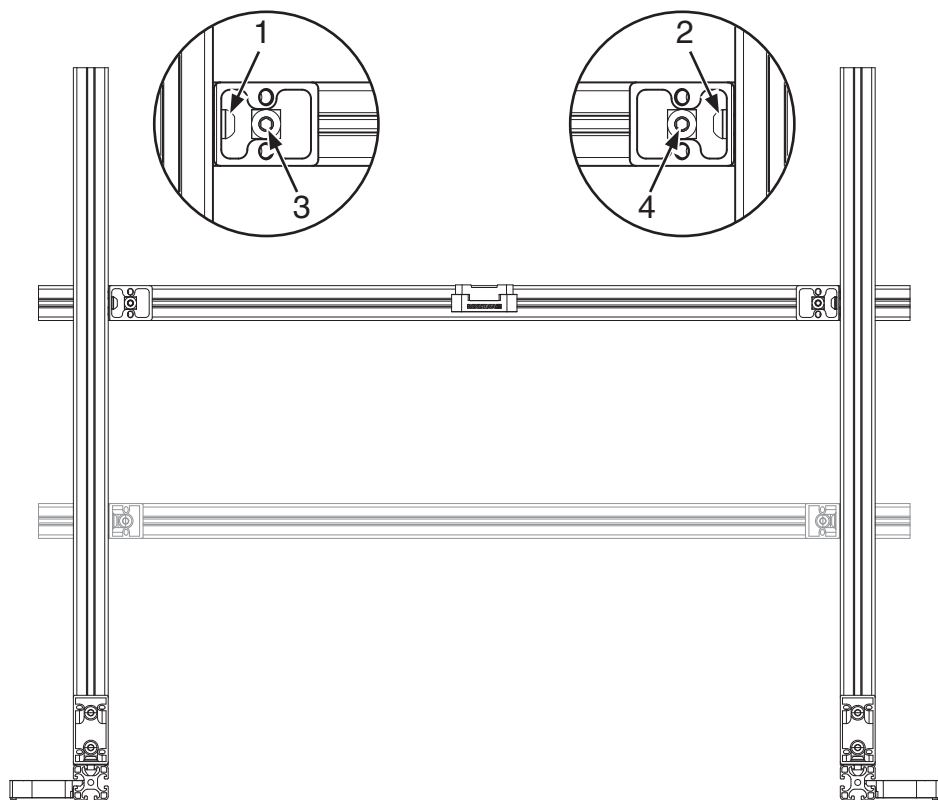
A-6007-0630

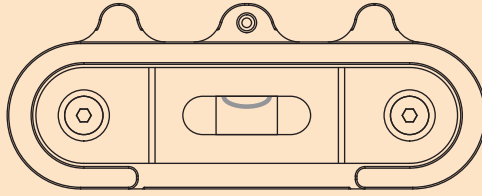
Set rail level using
spirit level provided





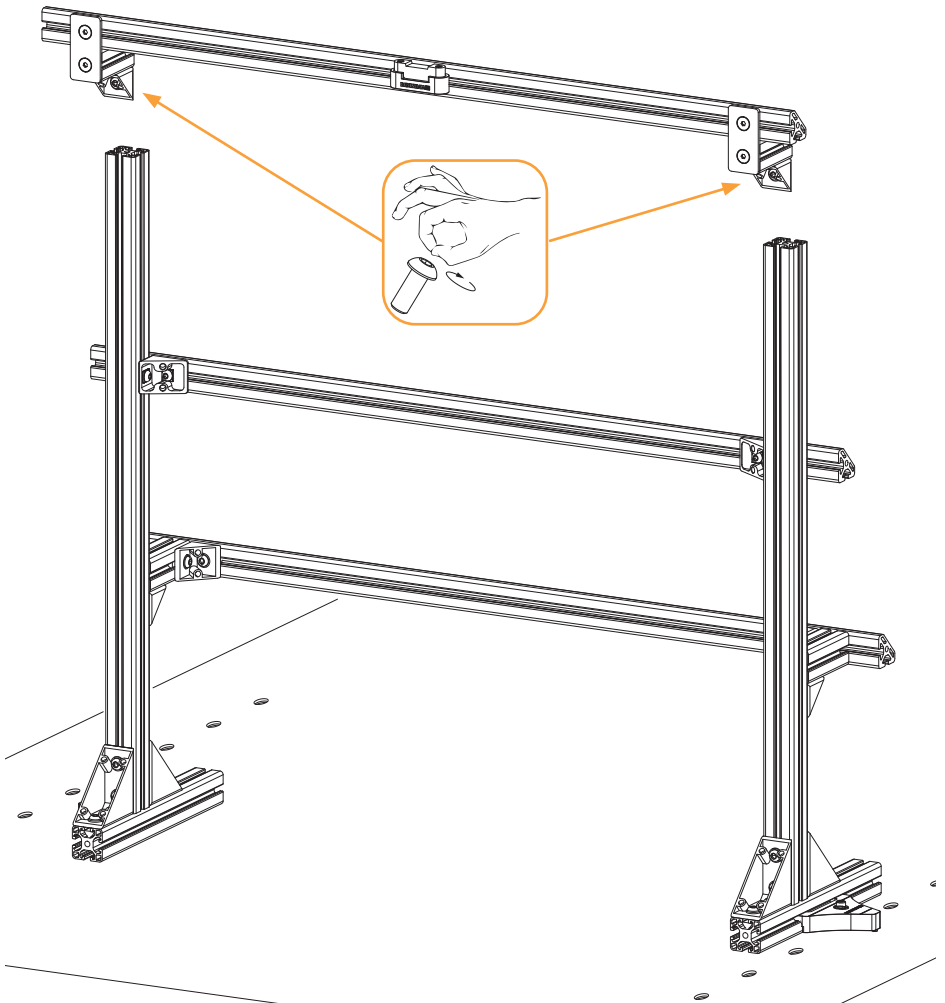
Bolt torque >7.5 Nm

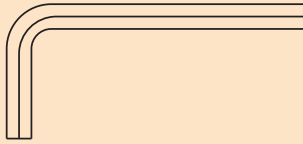




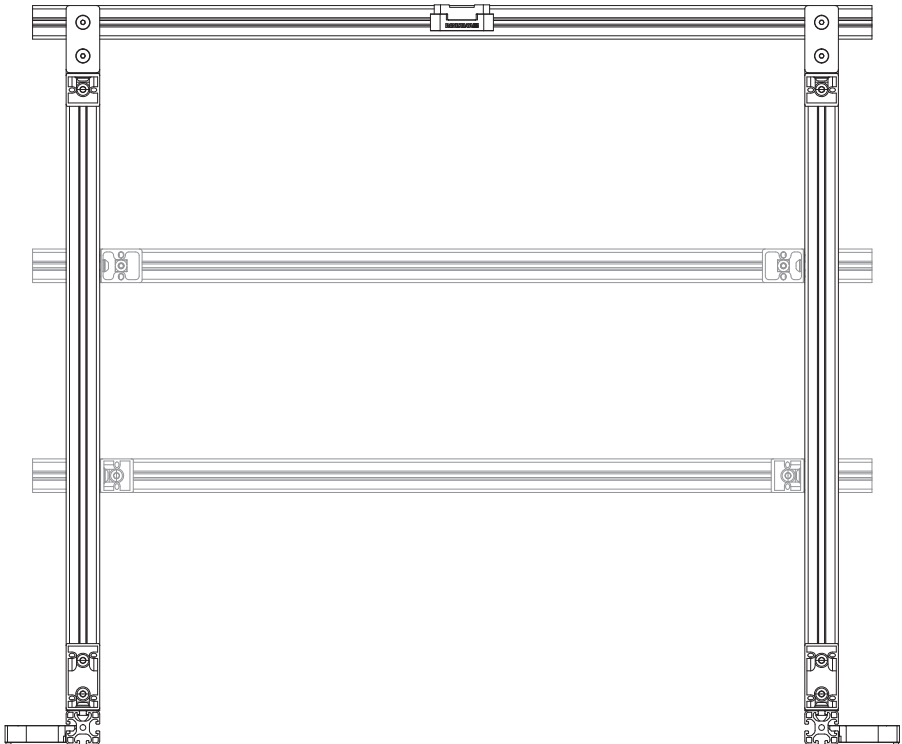
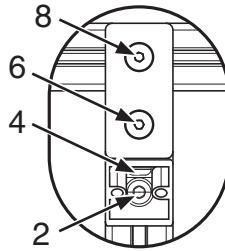
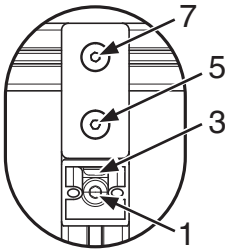
A-6007-0630

Set rail level using
spirit level provided





Bolt torque >7.5 Nm



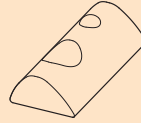
Typical port installation



× 1

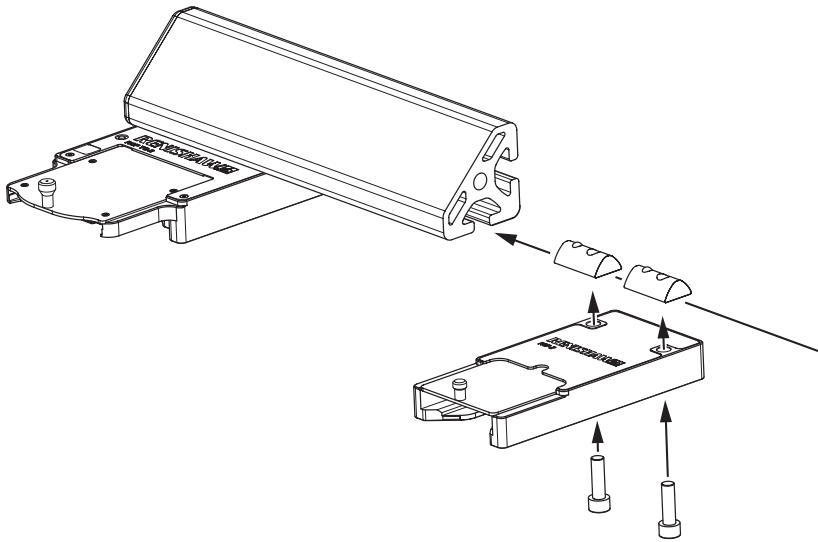


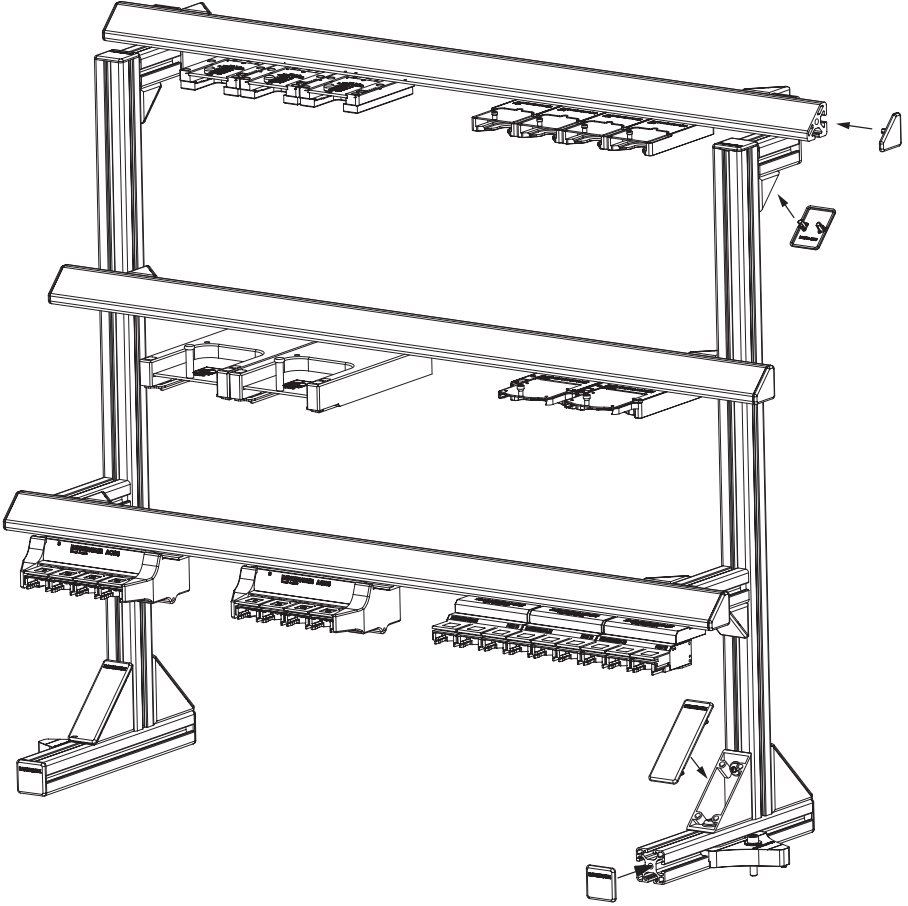
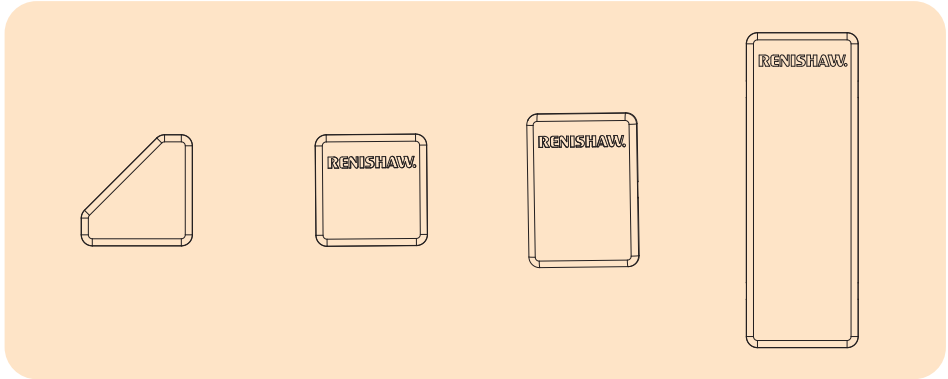
× 2

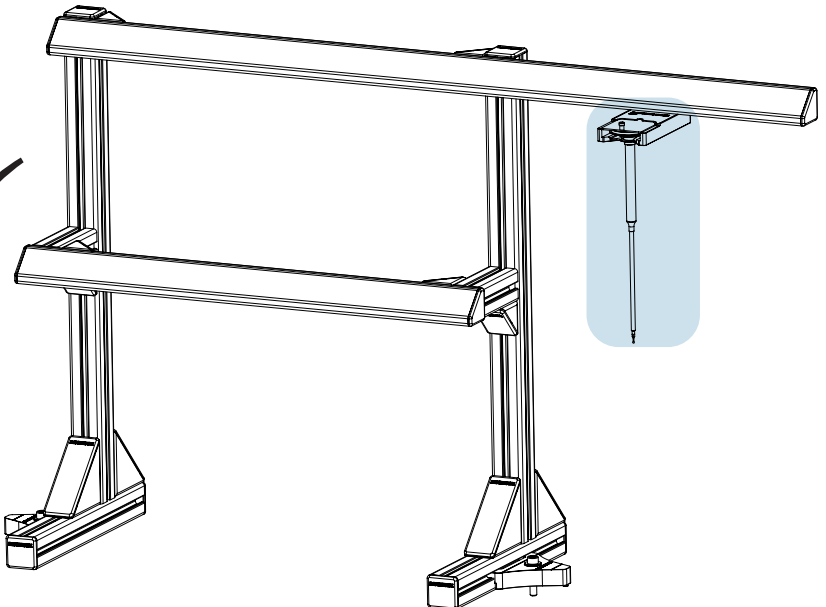
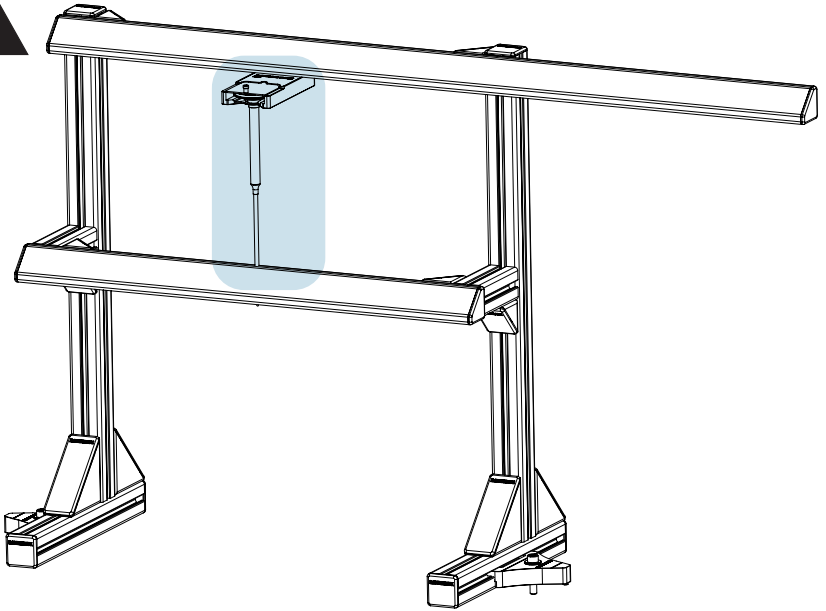


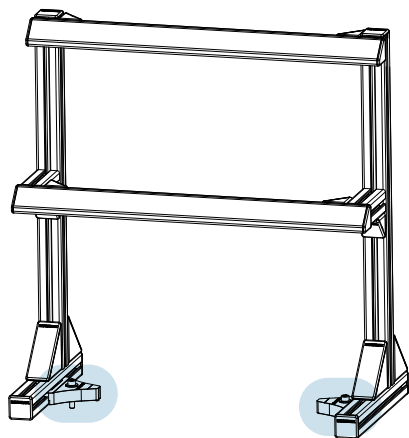
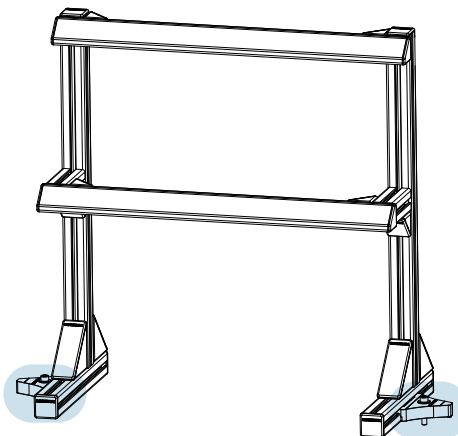
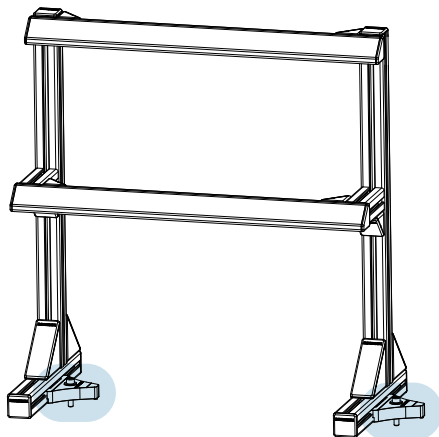
× 2

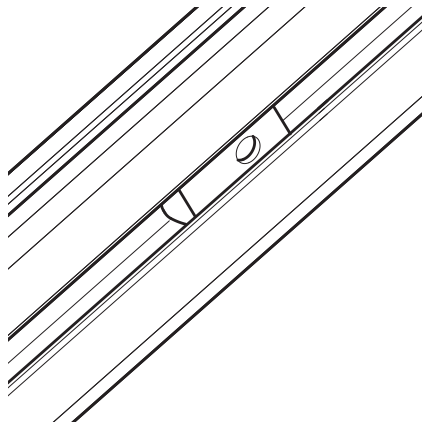
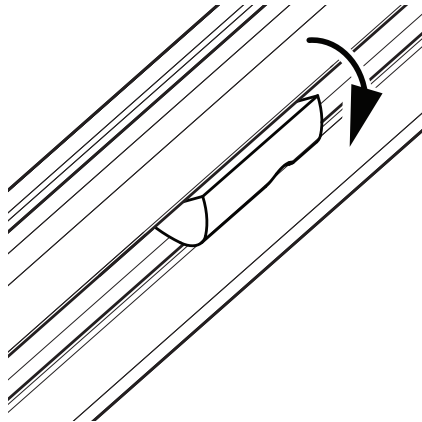
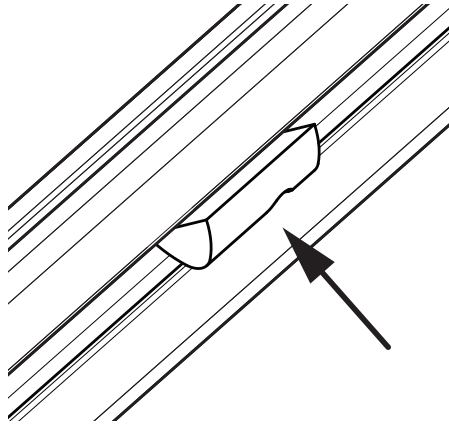
Typical installation
for most REVO and
3-axis rail mounted
ports and racks.












www.renishaw.com/MRS2

 #renishaw

 +44 (0) 1453 524524

 uk@renishaw.com

© 2015–2024 Renishaw plc. All rights reserved. This document may not be copied or reproduced in whole or in part, or transferred to any other media or language by any means, without the prior written permission of Renishaw.

RENISHAW™ and the probe symbol are registered trade marks of Renishaw plc. Renishaw product names, designations and the mark 'apply innovation' are trade marks of Renishaw plc or its subsidiaries. Other brand, product or company names are trade marks of their respective owners. WHILE CONSIDERABLE EFFORT WAS MADE TO VERIFY THE ACCURACY OF THIS DOCUMENT AT PUBLICATION, ALL WARRANTIES, CONDITIONS, REPRESENTATIONS AND LIABILITY, HOWSOEVER ARISING, ARE EXCLUDED TO THE EXTENT PERMITTED BY LAW. RENISHAW RESERVES THE RIGHT TO MAKE CHANGES TO THIS DOCUMENT AND TO THE EQUIPMENT, AND/OR SOFTWARE AND THE SPECIFICATION DESCRIBED HEREIN WITHOUT OBLIGATION TO PROVIDE NOTICE OF SUCH CHANGES.

Renishaw plc. Registered in England and Wales. Company no: 1106260. Registered office: New Mills, Wotton-under-Edge, Glos, GL12 8JR, UK.

Part no.: H-1000-5255-04-A

Issued: 05.2024